

IEC Appliance Inlet C8, insert Mounting, Solder, PCB or Quick-connect Terminal



See below:
[Approvals and Compliances](#)

Description

Drop-in type
 - Appliance Inlet , Pin temperature 70 °C , Protection class II
 - Solder / Quick Connect / PCB Terminal

Characteristics

- Contact pins are turned from solid material

References

We recommend for new applications the type [0720-FP](#)

Weblinks

[pdf data sheet](#), [html datasheet](#), [General Product Information](#), [Approvals](#), [Distributor-Stock-Check](#), [Accessories](#), [Detailed request for product](#)

Technical Data

| | | | |
|-----------------------------------|--|-------------------------|---|
| Ratings IEC | 2.5 A / 250 VAC; 50Hz | Appliance inlet/-outlet | C8 acc. to IEC/EN 60320-1 UL 60320-1, CSA C22.2 no. 60320-1 (for cold conditions) pin-temperature 70 °C, 2.5 A, Protection Class II |
| Ratings UL/CSA | 7 A / 125VAC; 60Hz | | |
| Dielectric Strength | > 4 kVAC between L-N > 2 kVAC between L/N-PE (1 min/50Hz) | | |
| Allowable Operation Temperature | -25 °C to 70 °C | | |
| IP-Protection | front side IP20 acc. to IEC 60529 | | |
| Protection against electric shock | Suitable for appliances with protection class II acc. to IEC 61140 | | |
| Terminal | Solder / Quick Connect / PCB Terminal in line with PIN-axis | | |
| Material: Housing | PA6, black / grey / white, UL 94V-0 | | |

Approvals and Compliances

Detailed information on product approvals, code requirements, usage instructions and detailed test conditions can be looked up in [Details about Approvals](#)

SCHURTER products are designed for use in industrial environments. They have approvals from independent testing bodies according to national and international standards. Products with specific characteristics and requirements such as required in the automotive sector according to IATF 16949, medical technology according to ISO 13485 or in the aerospace industry can be offered exclusively with customer-specific, individual agreements by SCHURTER.




Approvals

The approval mark is used by the testing authorities to certify compliance with the safety requirements placed on electronic products.
 Approval Reference Type: 2572

| Approval Logo | Certificates | Certification Body | Description |
|---------------|-------------------------------|--------------------|----------------------------------|
| | VDE Approvals | VDE | VDE Certificate Number: 40034368 |
| | UL Approvals | UL | UR File Number: E96454 |
| | CSA Approvals | CSA | CSA Certification Record: 27324 |
| | CCC Approvals | CCC | CCC Certificate Number: |

Product standards

Product standards that are referenced

| Organization | Design | Standard | Description |
|--|-----------------------|-----------------------|---|
|  | Designed according to | IEC/EN 60320-1 | Appliance couplers for household and similar general purposes |
|  | Designed according to | UL 60320-1 | Standard for Attachment Plugs and Receptacles |
|  | Designed according to | CSA C22.2 no. 60320-1 | General Use Receptacles, Attachment Plugs, and Similar Wiring Devices |






Application standards

Application standards where the product can be used

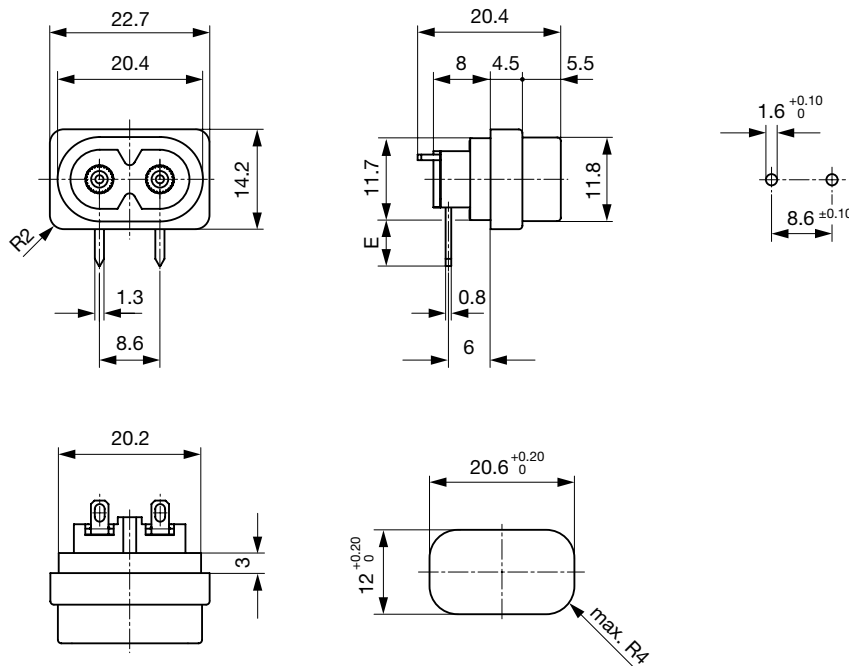
| Organization | Design | Standard | Description |
|--|--------------------------------|----------------|---|
|  | Suitable for applications acc. | IEC/UL 62368-1 | Audio/video, information and communication technology equipment - Part 1: Safety requirements |

Compliances

The product complies with following Guide Lines

| Identification | Details | Initiator | Description |
|--|--|-------------|---|
|  | CE declaration of conformity | SCHURTER AG | The CE marking declares that the product complies with the applicable requirements laid down in the harmonisation of Community legislation on its affixing in accordance with EU Regulation 765/2008. |
|  | UKCA declaration of conformity | SCHURTER AG | The UKCA marking declares that the product complies with the applicable requirements laid down in the British Amendment of Regulation (EC) 765/2008. |
|  | RoHS | SCHURTER AG | Directive RoHS 2011/65/EU, Amendment (EU) 2015/863 |
|  | China RoHS | SCHURTER AG | The law SJ / T 11363-2006 (China RoHS) has been in force since 1 March 2007. It is similar to the EU directive RoHS. |
|  | REACH | SCHURTER AG | On 1 June 2007, Regulation (EC) No 1907/2006 on the Registration, Evaluation, Authorization and Restriction of Chemicals 1 (abbreviated as "REACH") entered into force. |

Dimensions [mm]



E = PCB terminal standard (additional solder): 6.8 mm

E = PCB terminal short (additional solder): 0.6 mm

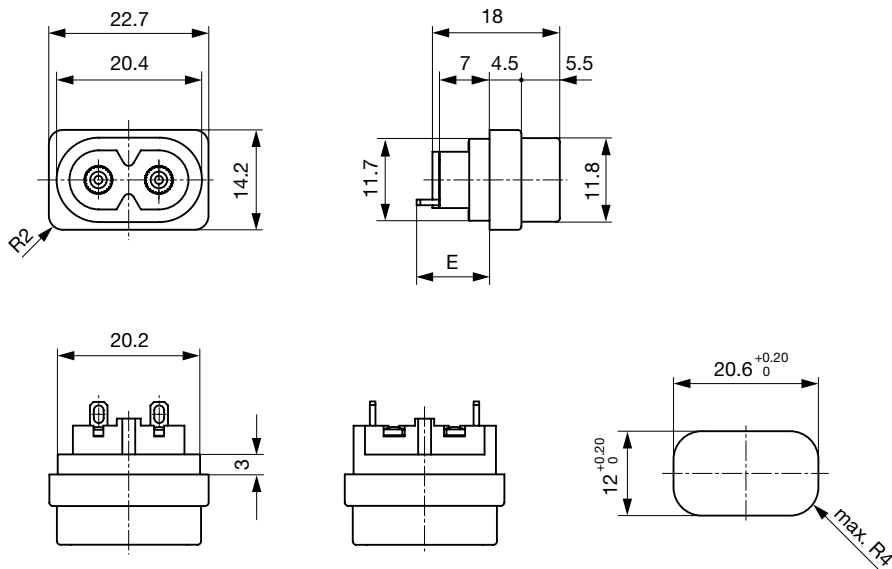
E = PCB terminal long (additional solder): 15.8 mm

E = PCB terminal standard: 6.5 mm

E = PCB terminal short: 5.0 mm

E = PCB terminal long: 7.6 mm

Quick connect or solder terminal in orientation A (horizontal) or B (vertical)



- E = Solder terminal short: 10.5 mm
- E = Solder terminal long: 14.2 mm
- E = Quick-connect terminal 2.8x0.8 mm: 16.5 mm
- E = Quick-connect terminal 4.8x0.8 mm: 15.0 mm (only orientation B)

Config. Code

2572 - H - A B C 0 - D - E G F

The characters are placeholders for the correspondingly keys of selections from the key tables.

2572 - H - A B C 0 - D - E G F = Type

| Type | Configuration key |
|---------------------|-------------------|
| protection class II | X |

2572 - H - A B C 0 - D - E G F = Terminals

| Terminal L | Configuration key |
|--|-------------------|
| short solder terminal (L = 4.8 mm) | 2 |
| long solder terminal (L = 8.5 mm) | 3 |
| PCB-terminal standard (additional solder terminal) | 4 |
| PCB-terminal short (additional solder terminal) | 5 |
| PCB-terminal long (additional solder terminal) | 6 |

Terminal L

Blade terminal (2.8 x 0.8 mm)



7

Blade terminal (4.8 x 0.8 mm)



8

PCB-terminal (standard)



A

PCB-terminal (short)



B

PCB-terminal (long)



C

2572 - H - A B C 0 - D - E G F = Terminals

Terminal N

short solder terminal (L = 4.8 mm)

2

long solder terminal (L = 8.5 mm)

3

PCB-terminal standard (additional solder terminal)

4

Symbols similar as in table A

| Terminal N | Configuration key |
|---|-------------------|
| PCB-terminal short (additional solder terminal) | 5 |
| PCB-terminal long (additional solder terminal) | 6 |
| Blade terminal (2.8 x 0.8 mm) | 7 |
| Blade terminal (4.8 x 0.8 mm) | 8 |
| PCB-terminal (standard) | A |
| PCB-terminal (short) | B |
| PCB-terminal (long) | C |

Symbols similar as in table A

2572 - H - A B C 0 - D - E G F = Terminals

| Terminal Ground | Configuration key |
|------------------|-------------------|
| without terminal | 0 |

Symbols similar as in table A

2572 - H - A B C 0 - D - E G F = Color

| Color | Configuration key |
|-------|-------------------|
| Black | A |

| Color | Configuration key |
|-------|-------------------|
| Grey | B |
| White | D |

2572 - H - A B C 0 - D - E G F = Style

| Style | Configuration key |
|-------------|-------------------|
| insert type | 5 |

2572 - H - A B C 0 - D - E G F = Dimension S

| Dimension "S" | Configuration key |
|---------------|-------------------|
| 00 | |

The dimension "S" is displayed in (1/10 mm). This information is also valid for the order code

2572 - H - A B C 0 - D - E G F = Orientation of Terminals

| Orientation of Terminals | Configuration key |
|--------------------------|-------------------|
| horizontal | A |
| vertical | B |

All Variants

| Terminals L / N | Orientation of Terminals | Color | Style | Config. Code | Order Number |
|---|--------------------------|-------|-------------|--------------------|--------------|
| short solder terminal (L = 4.8 mm) | horizontal | Black | insert type | 2572-X-2200-A-500A | 6160.0008 |
| PCB-terminal short (additional solder terminal) | horizontal | Black | insert type | 2572-X-5500-A-500A | 6160.0009 |
| PCB-terminal long (additional solder terminal) | horizontal | Black | insert type | 2572-X-6600-A-500A | 6160.0010 |
| Blade terminal (4.8 x 0.8 mm) | vertical | Black | insert type | 2572-X-8800-A-500B | 6160.0026 |
| PCB-terminal (long) | horizontal | Black | insert type | 2572-X-CC00-A-500A | 6160.0030 |
| PCB-terminal (short) | horizontal | Black | insert type | 2572-X-BB00-A-500A | 6160.0044 |

The listed variants should be available from stock. Other versions on request www.schurter.com/contact

Most Popular.

Availability for all products can be searched real-time: <https://www.schurter.com/en/info-center/support-tools/stock-check-distributors>

Packaging unit

100 Pcs

Accessories

Description



Wire_Harness
 Wire harness for SCHURTER products

Mating Outlets/Connectors

Category / Description

[Power Cord Overview complete](#)



| | |
|---|-----------|
| Cord Sets 2.5 A, IEC Connector, Black, 2.0 m, H03VH2-F 2x0,75mm2, Connector IEC C7, H05VH2-F 2x0.75 mm2 2m BLK, black | 6013.0474 |
| Cord Sets 2.5 A, IEC Connector, Black, 4.0 m, H03VH2-F 2x0,75mm2, Connector IEC C7, H05VH2-F2G0.75, black | 6013.0478 |

[Power Supply Cord Overview complete](#)



| | |
|---|-----------|
| Cord Sets 2.5 A, North America, Black, 2.0 m, SVT 2x18AWG, Connector IEC C7, NISPT-2, black | 6010.5274 |
| Cord Sets 2.5 A, North America, Black, 4.0 m, SVT 2x18AWG, Connector IEC C7, NISPT-2, black | 6010.5278 |